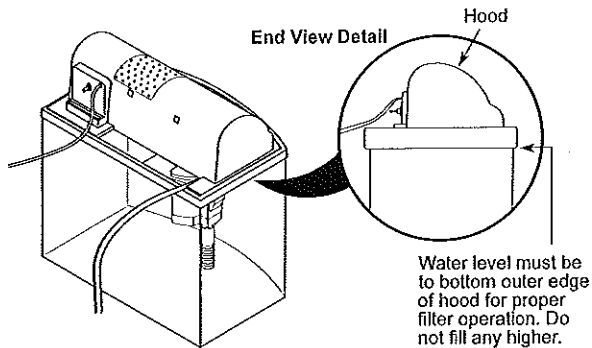


**STEP 5:**

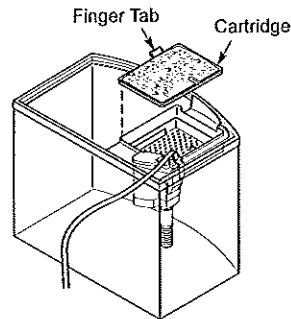
- A. Install light on tank as shown. Light housing to be installed so that the filter catch clears light as shown.
- B. Top off tank water level up to the outside bottom perimeter of light housing as shown.



## MAINTENANCE

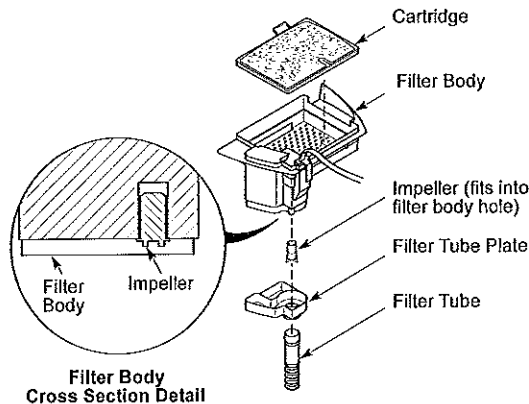
**FILTER CARTRIDGE:**

- 1. Unplug light and remove light housing from tank. Remove light from tank cautiously, using two hands.
- 2. Using finger tab on cartridge, remove used cartridge from filter and discard. Install new cartridge and replace cover.



**PUMP IMPELLER:**

- 1. Unplug filter and remove from the tank. Carefully remove filter tube plate from filter body. Separate and clean all parts including impeller. Rinse thoroughly and reinstall.
- 2. Carefully remove filter tube from filter tube plate. Rinse gently with water to remove particle buildup. After a thorough rinsing, reinstall.



# Mini Bow™ Filter

## Instruction Manual

### Aqueon Mini Bow Filter

The Mini Bow Filter is listed by Underwriters Laboratories to ensure that it meets the stringent U.S. and Canadian safety requirements.



**Filter Model: MB1**  
**120 volts 60 hz**

If sold separately, for use only with the Mini Bow aquarium.

**NOTE: THIS APPLIANCE HAS NO USER SERVICEABLE PARTS**

# IMPORTANT SAFETY INSTRUCTIONS

**WARNING** – To guard against injury, basic safety precautions should be observed including the following:

## 1. READ AND FOLLOW ALL SAFETY INSTRUCTIONS

**2. DANGER** – To avoid possible electric shock, special care should be taken since water is employed in the use of aquarium equipment. For each of the following situations, do not attempt to repair yourself; return the appliance to an authorized service facility for service or discard the appliance.

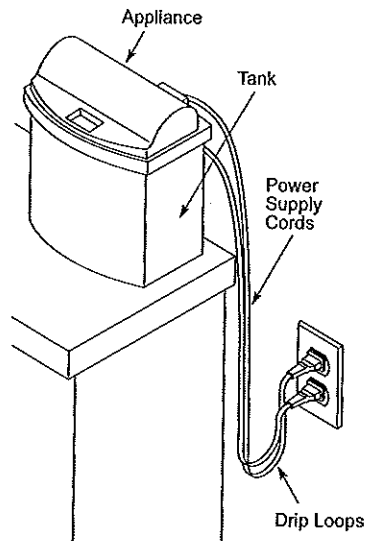
A. If the appliance shows any sign of abnormal water leakage, immediately unplug it from the power source.

B. Carefully examine the appliance after installation. It should not be plugged in if there is water on the parts not intended to be wet.

C. Do not operate any appliance if it has a damaged cord or plug, or if it is malfunctioning or if it is dropped or damaged in any manner.

D. To avoid the possibility of the appliance plug or receptacle getting wet, position aquarium stand and tank to one side of the wall mounted receptacle to prevent water from dripping onto the receptacle or plug. As shown in the figure below, a "drip loop" should be arranged by the user for each cord connecting an aquarium appliance to the receptacle. The "drip loop" is the part of the cord below the level of the receptacle, or the connector if an extension cord is used, to prevent water travel along the cord and coming in contact with the receptacle.

If the plug or the receptacles do get wet, DON'T unplug the cord. Disconnect the fuse to the circuit breaker that supplies power to the appliance. Then unplug and examine for the presence of water in the receptacle.



3. Close supervision is necessary when any appliance is used by or near children.

4. To avoid injury, do not contact moving parts or hot parts such as heaters, reflectors, lamp bulbs, etc.

5. Always unplug an appliance from the outlet when not in use, before putting on or taking off parts, and before cleaning. Never yank the cord to pull plug from the outlet. Grasp the plug and pull to disconnect.

6. Do not use an appliance for other than intended use. The use of attachments not recommended or sold by the appliance manufacturer may cause an unsafe condition.

7. Do not install or store the appliance where it will be exposed to the weather or to temperatures below freezing.

8. Make sure an appliance mounted on a tank is securely installed before operating it.

9. Read and observe all the important notices on the appliance.

10. If an extension cord is necessary, a cord with a proper rating should be used. A cord rated for less amperes or watts than the appliance rating may overheat. Care should be taken to arrange the cord so that it will not be tripped over or pulled.

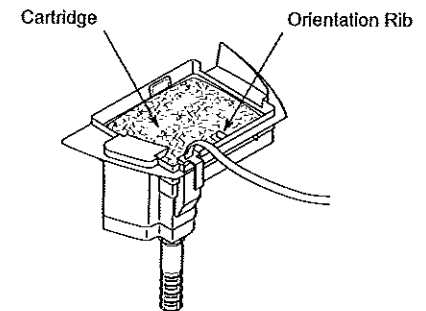
## 11. SAVE THESE INSTRUCTIONS

### INSTALLATION/OPERATION

**STEP 1:** Check filter for any signs of shipping damage. If damaged, do not operate and return.

**STEP 2:** Remove cartridge from bag and rinse under cold water to remove carbon dust.

**STEP 3:** Install cartridge as shown, using orientation rib to position correctly.



#### STEP 4:

A. Install filter in tank as shown. Filter catch must mount as shown.

B. Fill tank with water to 1" from tank's top edge.

C. Plug power cord into household receptacle. Filter will begin to draw water from tank, pump water into filter through cartridge and return it to tank.

