

## IMPORTANT SAFETY INSTRUCTIONS

**WARNING** - To guard against injury, basic safety precautions should be observed including the following:

### 1. READ AND FOLLOW ALL SAFETY INSTRUCTIONS

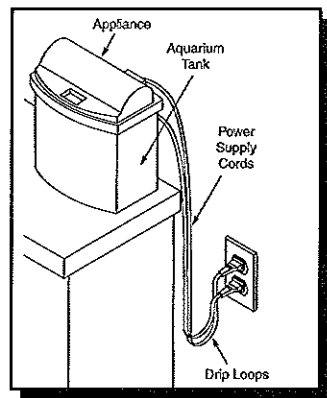
**2. DANGER** — To avoid possible electric shock, special care should be taken since water is employed in the use of aquarium equipment. For each of the following situations, do not attempt to repair yourself; return the appliance to an authorized service facility for service or discard the appliance.

**A.** If the appliance falls into water, **DON'T** reach for it! First unplug it and then retrieve it. If the electrical components of the appliance get wet, unplug the appliance immediately.

**B.** Carefully examine the appliance after installation. It should not be plugged in if there is water on the parts not intended to be wet.

**C.** Do not operate any appliance if it has a damaged cord or plug, or if it is malfunctioning or if it is dropped or damaged in any manner.

**D.** To avoid the possibility of the appliance plug or receptacle getting wet, position aquarium stand and tank to one side of the wall mounted receptacle to prevent water from dripping onto the receptacle or plug. A "drip loop", shown in the figure below, should be arranged by the user for each cord connecting an aquarium appliance to the receptacle. The "drip loop" is the part of the cord below the level of the receptacle, or the connector if an extension cord is used, to prevent water travel along the cord and coming in contact with the receptacle. If the plug or the receptacle do get wet, **DON'T** unplug the cord. Disconnect the fuse to the circuit breaker that supplies power to the appliance. Then unplug and examine for the presence of water in the receptacle.



**3.** Close supervision is necessary when any appliance is used by or near children.

**4.** To avoid injury, do not contact moving parts or hot parts such as heaters, reflectors, lamp bulbs, and etc.

**5.** Always unplug an appliance from the outlet when not in use, before putting on or taking off parts, and before cleaning. Never yank the cord to pull plug from the outlet. Grasp the plug and pull to disconnect.

**6.** Do not use an appliance for other than intended use. The use of attachments not recommended or sold by the appliance manufacturer may cause an unsafe condition.

**7.** Do not install or store the appliance where it will be exposed to the weather or to temperatures below freezing.

**8.** Make sure an appliance mounted on a tank is securely installed before operating it.

**9.** Read and observe all the important notices on the appliance.

**10.** If an extension cord is necessary, a cord with a proper rating should be used. A cord rated for less amperes or watts than the appliance rating may overheat. Care should be taken to arrange the cord so that it will not be tripped over or pulled.

**11.** This appliance has a polarized plug (one blade is wider than the other). As a safety feature, this plug will fit in a polarized outlet only one way. If the plug does not fit fully in the outlet, reverse the plug. If it still does not fit, contact a qualified electrician. Never use with an extension cord unless plug can be fully inserted. Do not attempt to defeat this safety feature.

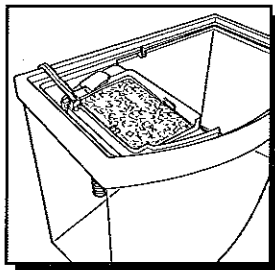
**12.** This appliance is intended **FOR HOUSEHOLD USE ONLY**. Do not use or mount this appliance in such a way that the top vents are restricted or blocked. These vents are necessary to avoid over-heating and ensure safe operating temperature.

### 13. SAVE THESE INSTRUCTIONS

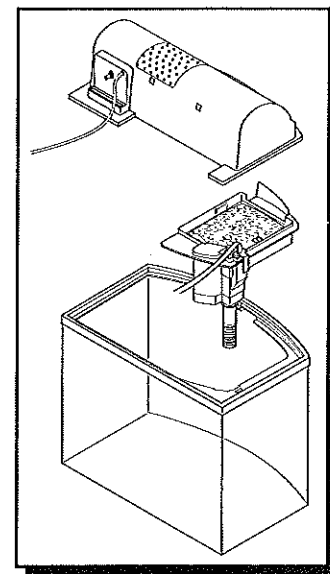
#### IMPORTANT CLEANING & SERVICING PRECAUTIONS

**CLEANING:** It is important to keep this hood appliance clean. Unplug and remove the unit from the aquarium, using two hands as shown. Wipe exposed surfaces carefully with a damp terrycloth to remove any dust or mineral deposits which may collect over time. Make sure all surfaces are dry before reinstalling, using two hands. To prevent scratching the aquarium, use a damp terrycloth when cleaning. Never use algae scrapers, scouring pads, razor blades, glass cleaner or other such abrasives.

**SERVICING:** In order to assure proper electrical connections and polarity, replacement parts and servicing should be performed only by a qualified electrician.



**FILTER INSTALLATION:** Set the unplugged Mini-Bow Filter onto the widened part of the frame inside the aquarium, hanging its cord over the back. Refer to the Mini-Bow Filter manual for further instructions and important safeguards.



# CLEAR ACRYLIC AQUARIUM

IMPORTANT SAFETY INFORMATION PLEASE READ ALL BEFORE USE!

## CAUTION

Always handle aquariums with care to avoid personal injury or damage to the aquarium. **NEVER** allow small children to touch, climb on, or play with the aquarium or its stand. Aquarium stands that are less than 12" wide (front to back) should be fastened or tethered to a wall to prevent a top heavy or unstable condition. **NEVER** place an aquarium on the floor, it can cause injury or become damaged. **NEVER** set an aquarium on a non-sturdy or unsupported structure, such as those which are unable to support the weight of a filled aquarium, are suspended, can rock or sway, can sag, are on wheels or allows the aquarium to overhang. Some examples are: shelving units, bookcases, dressers, televisions, or carts. These could cause the aquarium to leak, crack, or even fall over if a top heavy situation is created. For best results, use an approved aquarium stand designed to support the weight.

## AQUARIUM SET-UP

When you fill your aquarium use room temperature water. Cool water produces condensation, which gives the appearance of leakage. If condensation occurs, simply wipe aquarium surface with a clean dampened terrycloth until the water reaches room temperature. Fill aquarium with water, level with the bottom edge of the frame. **Do not overfill.** Never attempt to remove the aquarium frame.

## LIFTING AND CARRYING AN AQUARIUM

Never lift or attempt to move an aquarium that is not completely empty. Always lift or carry an empty aquarium by supporting it from the tank bottom. Never lift an aquarium with wet hands and never attempt to lift an aquarium by grasping the frame or upper edges, it could slip out of your hands and break or cause injury.

## HANDLE WITH CARE

This is a quality injection molded acrylic aquarium which will remain clear and leak proof for many years to come with proper care. To prevent scratching, be careful when handling and cleaning the aquarium. Do not use algae scrapers, scouring pads, or razor blade cleaners. Do not use glass cleaner or abrasives. Clean the acrylic aquarium surface with a damp terrycloth.

## AQUARIUM LOCATION

For best results, place an aquarium in a location best suited to support the total weight of a filled aquarium. The filled weight of an aquarium is approximately 10 to 12 lbs. per gallon. Always place an aquarium in a flat and level area. Avoid placing an aquarium where it will receive direct sunlight. Direct or partial sunlight can cause algae growth. Avoid placing an aquarium near a heating or cooling vent.

## LIMITED WARRANTY

This aquarium is under warranty by Central Aquatics (Division of Central Garden & Pet) against breakage due to defects in the material or workmanship for 2 years from the date of purchase. If the aquarium is found to be defective, ship it to the address below and a new aquarium will be sent to you at no additional charge (Dated proof of purchase must be provided).

This warranty is void if the aquarium is not placed on a flat, level aquarium stand designed to support this size aquarium or an equally sturdy and supported structure. The warranty is also void if the aquarium is moved when it is not completely empty, or if it is used for other than its intended purpose.

This warranty is limited to replacement of the aquarium only. Warranty does not cover loss of fish, personal injury, property loss, or damage arising out of use of the aquarium. Some states do not allow the exclusion or limitation of incidental or consequential damage, so the above limitation or exclusion may not apply to you. This warranty gives you specific legal rights, and you may have other rights which vary from state to state.

Aqueon, A product of Central Aquatics (Division of Central Garden & Pet)  
Customer Service Representatives 1-800-261-7574 5401 W. Oakwood Park Drive • Franklin, WI 53132

# AQUEON

It's all about the fish.

## Mini Bow™ Desktop Kit Aquarium 5.0

## Instruction Manual

Mini Bow 5 Aquarium  
with Mini Bow 5  
Incandescent Full Hood

The Mini Bow 5 Aquarium and Full Hood are listed by Underwriters Laboratories to ensure that they meet the stringent U.S. and Canadian safety requirements.



**Aquarium Reflector Model:  
Mini Bow 5 Incandescent Full Hood**

If sold separately, for use only with  
the Mini Bow 5 aquarium:  
Frame, Top opening 13-11/32" x 8-27/32" x 1/4"